

APPLICATION

The 221455A Crank Arm Kit is used with Modutrol IV Motors. It also fits other Honeywell Modutrol motors. The 221455A Crank Arm is 0.75 inch shorter than the 4074ELY and 7616BR Crank Arms (see Fig. 1). Its shorter length assures clearance in damper applications where a Modutrol IV motor is used without an adapter bracket. To install the crank arm follow the instructions below.

INSTALLATION

WHEN INSTALLING THIS PRODUCT...

1. Read these instructions carefully. Failure to follow them could damage the product or cause a hazardous condition.
2. Check the ratings given in the instructions and on the product to make sure the product is suitable for your application.
3. Installer must be a trained, experienced service technician.
4. After installation is complete check out product.

INSTALLING

1. Install the crank arm assembly on the motor shaft (see Fig. 2).

NOTE: Adaptor should be flush with the end of the motor shaft.

2. Tighten the tension screw securely after locating the crank arm in the desired position (see Fig. 3).

NOTE: When connecting linkage to the crank arm, make sure that it does not interfere with the screw bosses on the motor when operated through the full stroke.

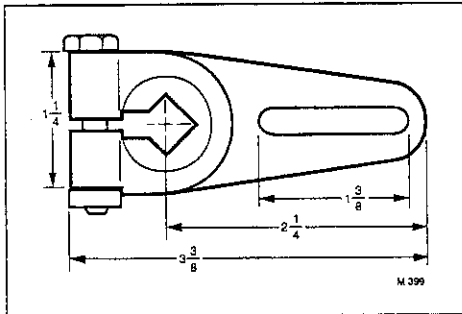


Fig. 1—Crank arm dimensions.

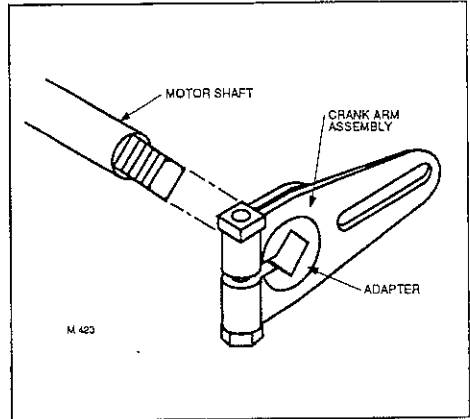


Fig. 2—Install crank arm assembly.

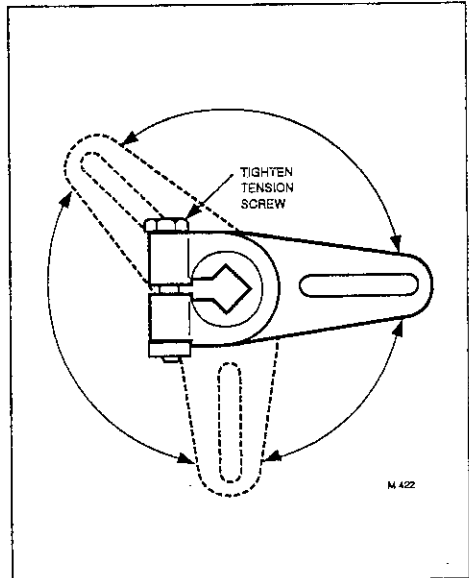


Fig. 3—Locate crank arm to the desired position.

By using this Honeywell literature, you agree that Honeywell will have no liability for any damages arising out of your use or modification to the literature. You will defend and indemnify Honeywell, its affiliates and subsidiaries, from and against any liability, cost, or damages, including attorneys' fees, arising out of, or resulting from, any modification to the literature by you.